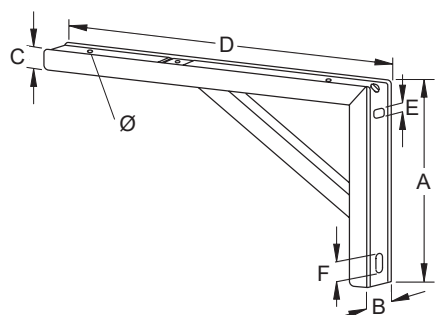




# Li.Bo

## SCHEMA TECNICA REGGIMENSOLA ROBUSTA



A	B	C	D	E	F	Ø	materiale
mm	mm	mm	mm	mm	mm	mm	material
155	33	16	300	6	13	6	acciaio
205	33	16	400	6	13	6	steel
273	33	16	500	6	13	6	
155	33	16	300	6	13	6	acciaio
205	33	16	400	6	13	6	steel
273	33	16	500	6	13	6	
155	33	16	300	6	13	6	acciaio
205	33	16	400	6	13	6	steel
273	33	16	500	6	13	6	



zincate smontate  
not assembled galvanized

zincate montate  
mounted galvanized

verniciate montate  
assembled lacquered

Size	(2 pcs)	Kg	pcs / kg
cm			
30	70	20 /	8,0 kg
40	70	20 /	11,1 kg
50	70	20 /	14,4 kg
30	70	6 /	2,4 kg
40	70	6 /	3,1 kg
50	70	6 /	4,5 kg
30	70	6 /	2,5 kg
40	70	6 /	3,4 kg
50	70	6 /	4,3 kg